

GOBI DODGE NITRO FULL SIZE ROOF RACK INSTALLATION INSTRUCTIONS

Guidelines:

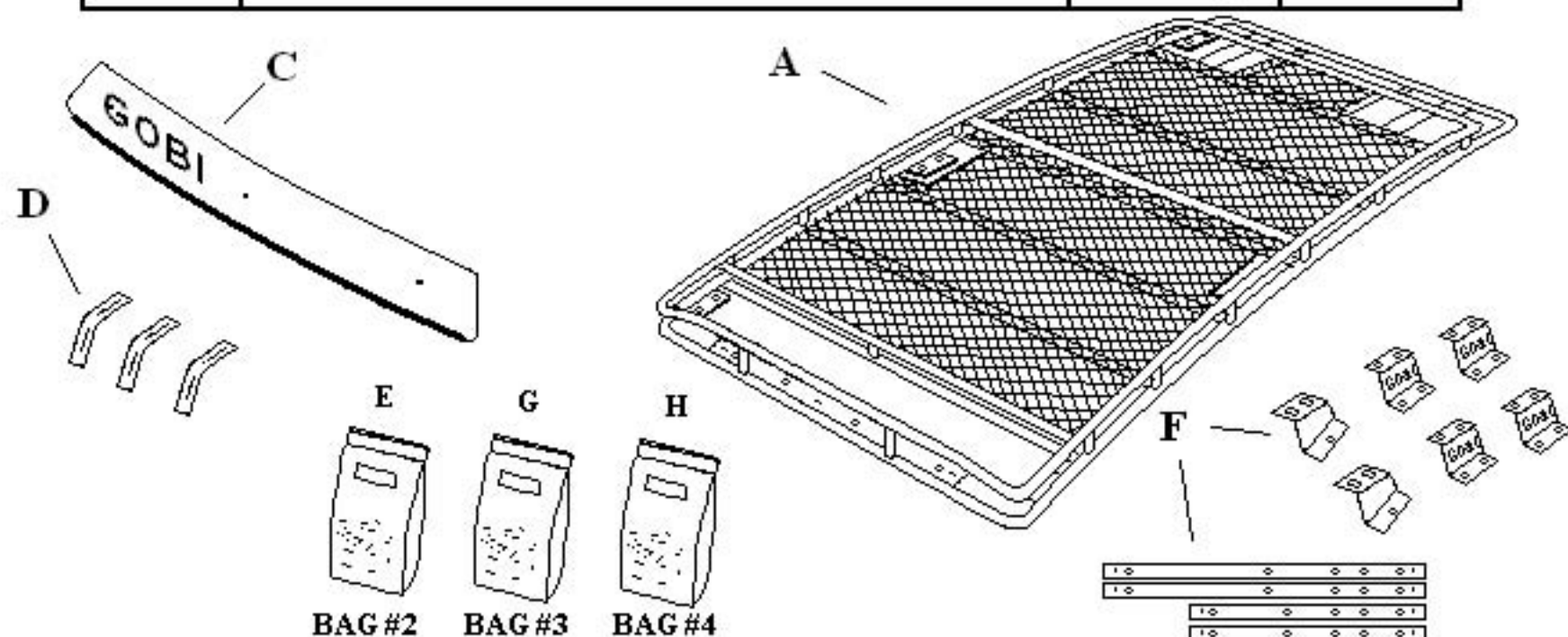
When using Load Carriers and Accessories, the user must understand the precautions. The points listed below will assist you in using the rack /carrier system and will encourage safety.

- For quality fits and safty, use only the recommended rack or accessory. Do not assume an accessory will fit, always check with dealer when obtaining new accessories. Use only approved accessories on load carriers. Using other brands will void your warrenty.
- Make sure all knobs, bolts, screws, straps, and locks are firmly attached, tightened and locked before every trip. Knobs, bolts, screws, straps, and locks must be periodically inspected for signs of wear, corrosion, and fatigue. Check your load at stops during the trip to insure continued fastening security.
- Check local and state laws governing projection of objects beyound the width of a vehicle. **Be aware of the width and height of your cargo since low clearance branches, bridges, and parking garages can affect the load** All cargo will affect the vehicle's driving behavior. Never drive with any lock, know, or rack in an open or unlocked position. All long loads such as, but not limited to sailboards, surfboards, kayaks, canoes, and lumber must be tied down front and rear to the bumpers or tow hooks, of the vehicle.
- Remove your rack accessories when they are not in use, before intering car washes, prior to taking in your vehicle for service, and whenever clearance may be an issue.
- All locks must be turned and moved periodically to insure smooth operation. Use graphite or similar dry lubricant to help this. Locks are designed to deter vandalism and theft. Remove valuable gear if your vehicle is unattended for an extended period. Place at least one key in the glove compartment.
- For safety to your vehicle and rack system, obey all posted speed limits and traffic cautions. Adapt your speed to the conditions of the road and the load being carried.
- Do not use load carriers and accessories for purposes other than those for which they were designed. Do not exceed their carrying capacity.
- Consult with your dealer if you have any questions regarding the operations and limits of this product. Review all instructions carefully.

GOBI DODGE NITRO FULL SIZE ROOF RACK INSTALLATION INSTRUCTIONS

Included in kit

Letter	Description	Location	Quantity
A	GOBI DODGE NITRO FULL SIZE ROOF RACK	Main box	1
B	FAIRING RUBBER PROTECTIVE STRIP	pre-assembled	1
C	FAIRING	banded to rack	1
D	FAIRING BRACKETS (pre-assembled to fairing)	pre-assembled	3
E	FAIRING BRACKET HARDWARD CONTENTS: 3- 1/4-20x3/4" SS Button head screw 6- 1/4" Black nylon washer 3- 1/4-20 Nylok nut	BAG #2 Hardware Box	1
F	GOBI SUPPORT BRACKETS AND PLATES	Hardware Box	10
G	GOBI ROOF MOUNT BRACKET HARDWARE CONTENTS: 14- M6 x 15mm SS Button head screws 14- M6 SS Flat washers 14- 1/4" SS Lock washers 8- 5/16-18 x 1" SS Button head screws 8- 5/16" SS Lock washers 8- 5/16" SS Flat washers 4- H2 "T" nuts black Zinc plated 2- 7/16" Flat washers Black Zinc plated 14- 3/4" x 1" Hex Aluminum M6 tapped Stand offs 1- 4mm Allen Wrench 1- 3/16" Allen Wrench	BAG #3 Hardware Box	1
H	GOBI RACK BRACKET HARDWARE CONTENTS: 12- 3/8-16 x 1" SS Hex bolt 24- 3/8" SS Flat washers 12- 3/8" SS Lock washers 12- 3/8" SS Lock nut 6- Black Rubber pads	BAG #4 Hardware Box	1



GOBI DODGE NITRO FULL SIZE ROOF RACK INSTALLATION INSTRUCTIONS

The rack must be inspected before each use to make certain attachments are secure, and for evidence of Wear. Misuse of the rack or failure to observe the manufacturer's instructions as to installation, proper Attachment and maintenance will void any warranties that may be implied by law.

INSTALLATION INSTRUCTIONS:

- 1- Refer to page 5 Fig. 1 #2 using a 15mm socket remove all 10 aluminum plastic capped nuts holding down the upper roof plastic trim #1, 5 nuts per side. Do not remove the plastic trim.
- 2- Refer to page 5 Fig. 1 After you have removed all Trim nuts place 2 black Zinc plated Flat washers #3a found in Bag #3 of your install kit, one over each threaded stud #2a located at the front top of the vehicle as shown in Fig. 1 page 5. Then follow by threading an aluminum standoff #3 also located in Bag #3 over each of the front threaded studs and Black Zinc plated washer previously installed. Secure in place but do not over tighten. Continue to install the remaining aluminum Standoffs #3 over each of the remaining 8 threaded studs #2 as shown in Fig. 1. Tighten all aluminum standoffs securely but do not over tighten.
- 3- Refer to page 5 Fig. 1 and attach the preassembled rear support plate #5a labeled (passenger rear) and (drivers rear) to the rear of the vehicle over the top of the aluminum standoffs #3. Using the M6 x 15mm mounting screws, lock washer and flat washer located in Bag #3 thread each screw through the #5a support plate and into the aluminum standoff as shown in Fig. 2 page 5. Continue to the mid support plate 5b labeled (drivers side) and (passenger side) and attach in the same manner. Do not fully tighten all #7 mounting screws leave snug at this time for adjustment purposes.
- 4- Refer to Fig. 1 page 5 and continue to the front of the vehicle and attach mounting brackets #8 labeled (drivers side) and (passenger side). Using the last 2 sets of #7 mounting screws, lock washers and flat washers attach the #8 support bracket to the #3 aluminum standoffs and snug down the screws only, do not fully tighten at this time.
- 5- Refer to page 6 Fig. 3 and place the GOBI roof rack #11 onto all support brackets #8 and #5 at this time. Using the mounting hardware located in Bag 4 of your install kit place a black rubber pad #10 between the front two #8 support brackets and the roof rack welded in flange as shown in Fig. 4 page 6. Continue by installing the 3/8" hex bolts #9 and flat washers #9a through the welded in flange and support brackets followed by a 3/8" flat washer #9a, lock washer #9b and lock nut #9c then snug down at this time. After the front two support brackets are attached to the Gobi roof rack check the middle support bracket #5 and the rear support bracket #5 and align the support brackets to the Gobi welded in flanges of the roof rack. This can be accomplished by sliding the support plates #5a and #5b to the rear or the front of the vehicle. Once alignment is confirmed proceed by installing the remaining bolts through all roof rack flanges and support brackets as shown in Fig. 4 page 6. Snug down all hardware only at this time.

GOBI DODGE NITRO FULL SIZE ROOF RACK INSTALLATION INSTRUCTIONS

INSTALLATION CONTINUED:

- 6- After you have aligned the Gobi roof rack with your vehicle begin tightening all support plates to the vehicle roof top by tightening all #7 M6 x 15mm mounting screws as shown on page 5 Fig. 2. Followed by fully tightening the #7 screws of the front two #8 support brackets to the roof top. Continue by fully tightening all roof rack mounting bolts as shown on page 6 Fig. 4.
- 7- Refer to page 7 Fig. 5 and Fig. 6, mount farring #2 using the middle bracket #4 and attach to the roof rack light bar #5a (middle slot) using the hardware located in Bag #2. Position the middle bracket on the #5a light bar so that a minimum of a 2" gap is maintained between the farring and the roof rack lower tube as shown in exploded view Fig. 6a then fully tighten. Continue to either the passenger or driver's side and pull the farring in towards the roof rack and attach screws and tighten down fully. Continue to the opposite side and follow the same procedure. When finished the farring rubber strip should be in full contact with the roof top if this is not the case loosen the farring screws #2a and drop the farring so contact is made. Installation is now complete.

GOBI DODGE NITRO FULL SIZE ROOF RACK INSTALLATION INSTRUCTIONS

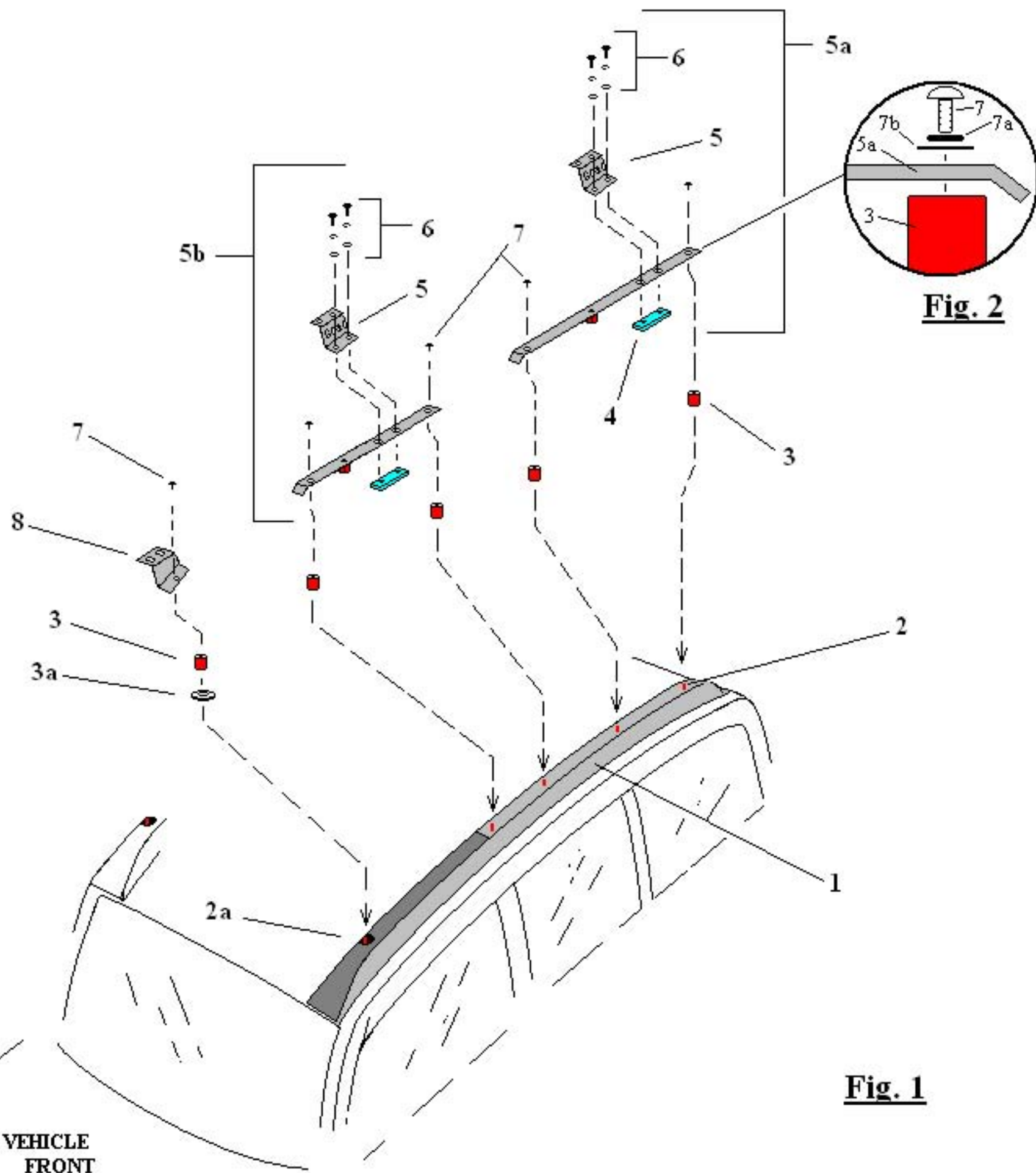


Fig. 1

GOBI DODGE NITRO FULL SIZE ROOF RACK INSTALLATION INSTRUCTIONS

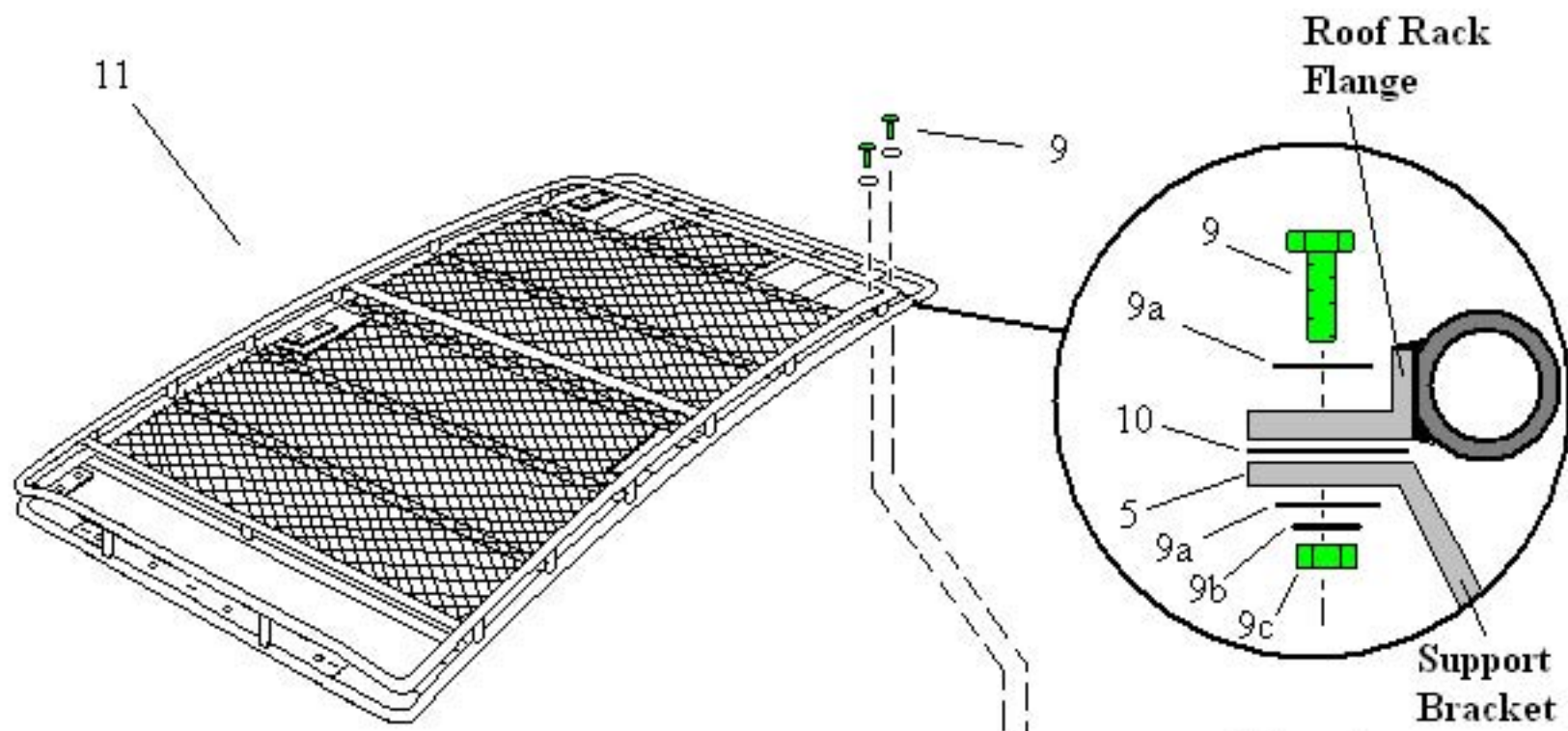


Fig. 4

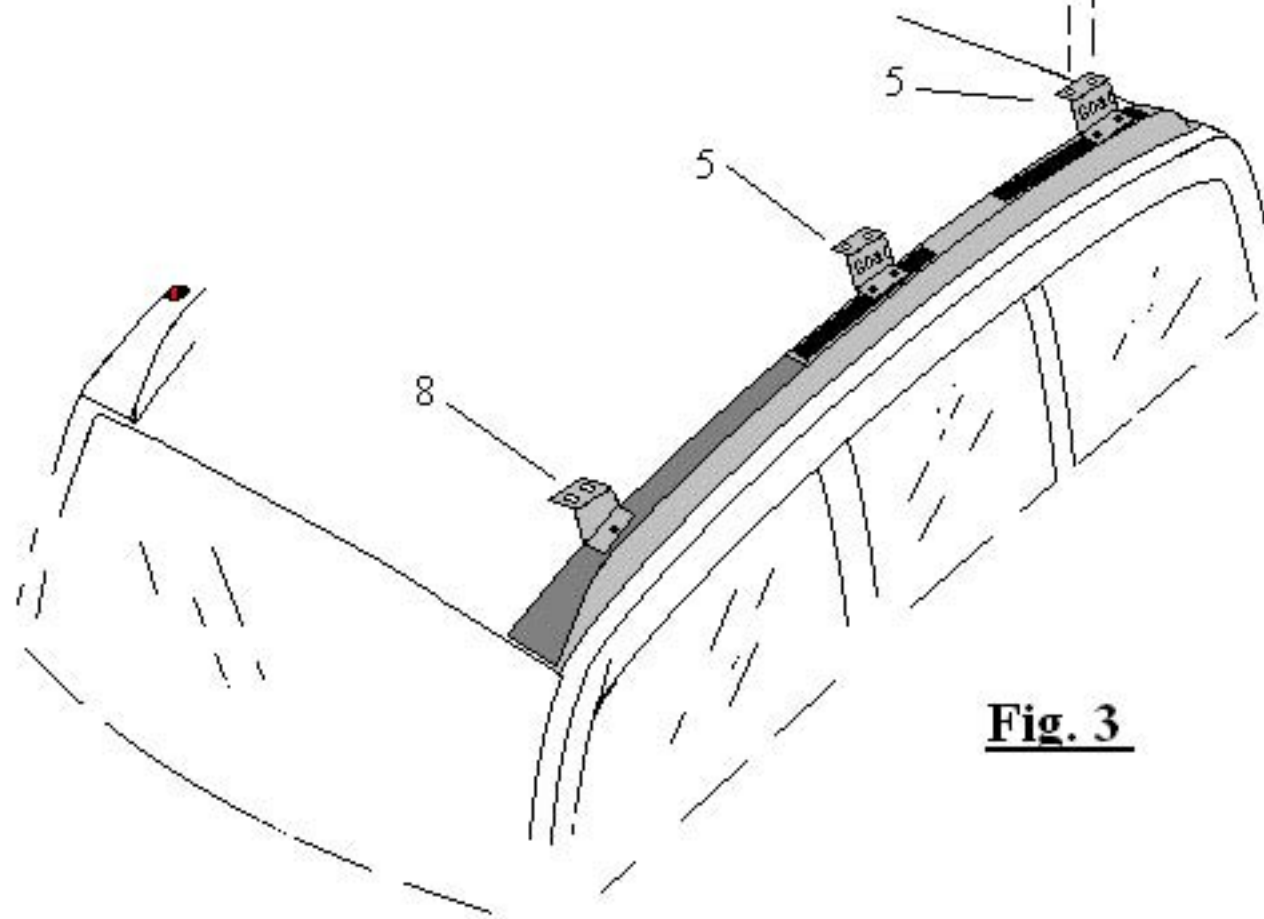


Fig. 3

GOBI DODGE NITRO FULL SIZE ROOF RACK INSTALLATION INSTRUCTIONS

