

GOBI Delta Hook

Guidelines:

When using Load Carriers and Accessories, the user must understand the precautions. The points listed below will assist you in using the rack /carrier system and will encourage safety.

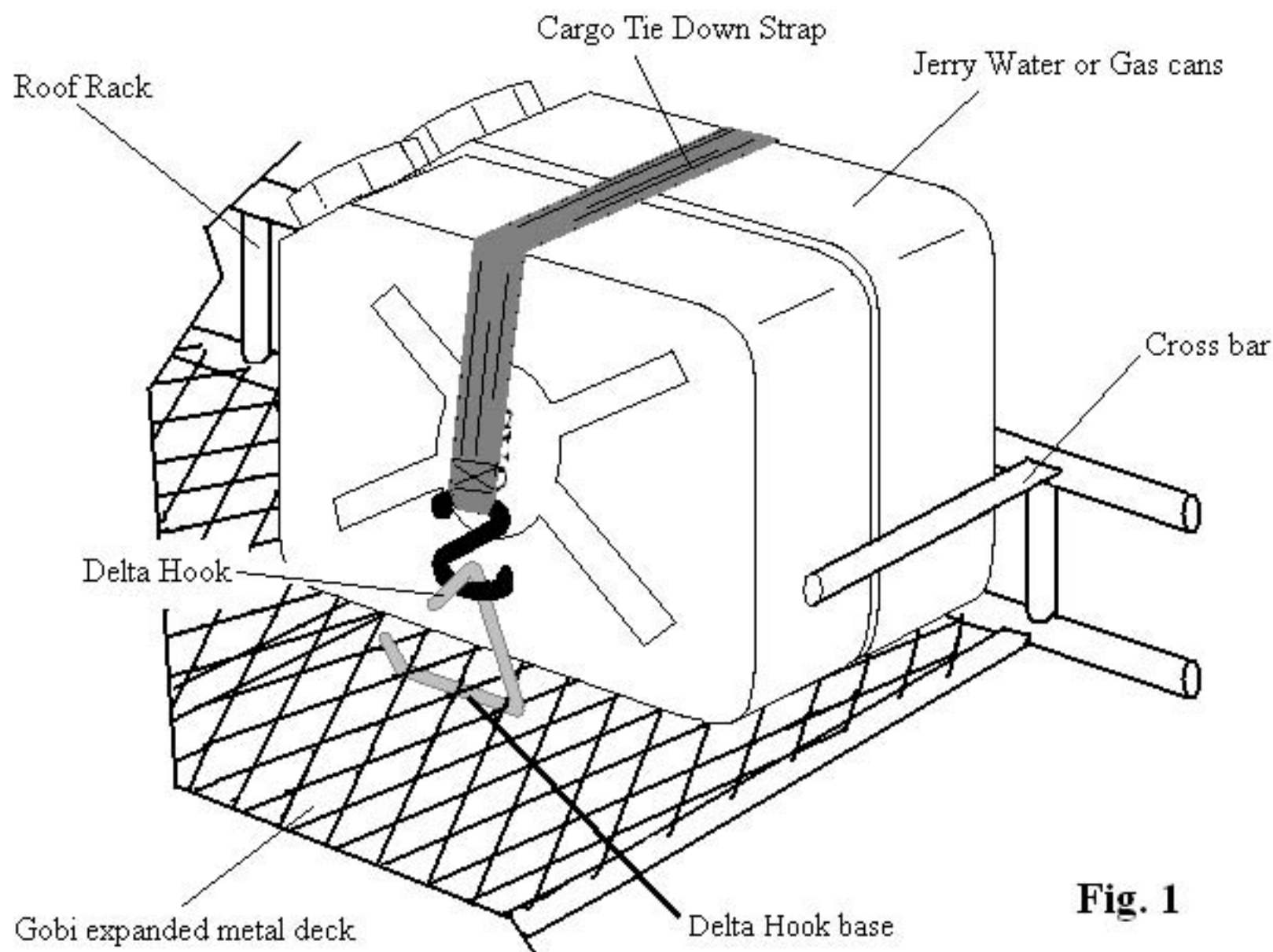
- For quality fits and safty, use only the recommended rack or accessory. Do not assume an accessory will fit, always check with dealer when obtaining new accessories. Use only approved accessories on load carriers. Using other brands will void your warrenty.
- Make sure all knobs, bolts, screws, straps, and locks are firmly attached, tightened and locked before every trip. Knobs, bolts, screws, straps, and locks must be periodically inspected for signs of wear, corrosion, and fatigue. Check your load at stops during the trip to insure continued fastening security.
- Check local and state laws governing projection of objects beyound the width of a vehicle. **Be aware of the width and height of your cargo since low clearance branches, bridges, and parking garages can affect the load** All cargo will affect the vehicle's driving behavior. Never drive with any lock, know, or rack in an open or unlocked position. All long loads such as, but not limited to sailboards, surfboards, kayaks, canoes, and lumber must be tied down front and rear to the bumpers or tow hooks, of the vehicle.
- Remove your rack accessories when they are not in use, before entering car washes, prior to taking in your vehicle for service, and whenever clearance may be an issue.
- All locks must be turned and moved periodically to insure smooth operation. Use graphite or similar dry lubricant to help this. Locks are designed to deter vandalism and theft. Remove valuable gear if your vehicle is unattended for an extended period. Place at least one key in the glove compartment.
- For safety to your vehicle and rack system, obey all posted speed limits and traffic cautions. Adapt your speed to the conditions of the road and the load being carried.
- Do not use load carriers and accessories for purposes other than those for which they were designed. Do not exceed their carrying capacity.
- Consult with your dealer if you have any questions regarding the operations and limits of this product. Review all instructions carefully.

GOBI Delta Hook



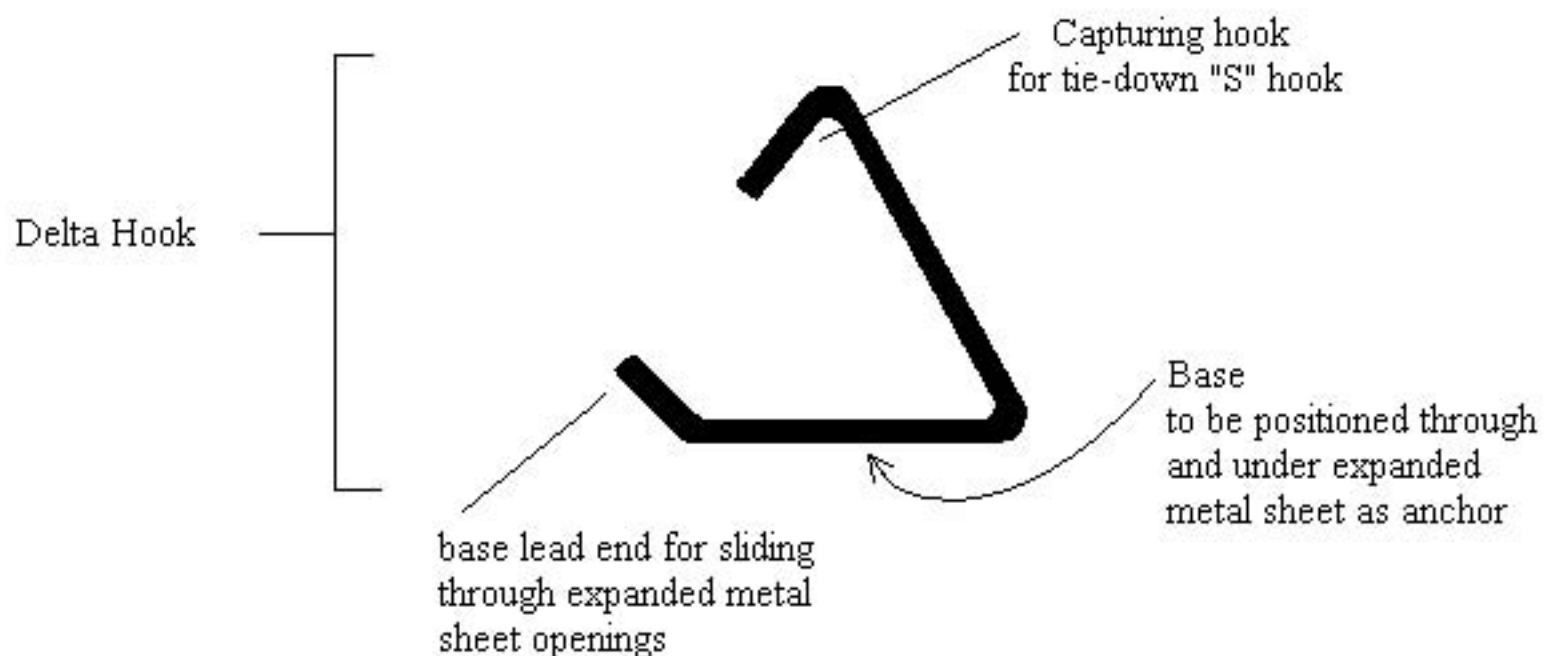
User Guidelines:

- The "Delta Hook" is designed to be used with 3/4" expanded metal surfaces where conventional S-Hook tie-downs are impossible to use.
- The Heavy 3/8" Zinc Plated, Thermoplastic coated "Delta Hook" can easily slip into and under the expanded metal decking to firmly secure to a large surface area.
- Once the "Delta Hook" has been positioned correctly through the expanded metal as shown in Fig. 1 in a direction suited for your specific cargo attach the S-hook of a conventional tie-down strap onto the "Delta Hook" as shown in Fig. 1 below. Make sure when attaching a tie-down strap to the "Delta Hook" the force of the tie-down strap applied to the "Delta Hook" is in a vertical direction as shown in Fig. 1 away from the "Delta Hook" base.
- Multiple "Delta Hooks" can be used to tie down objects to a roof rack. When the "Delta Hook" is not in use do not leave attached to your roof rack remove it and store in a safe place.
- The "Delta Hook" is rated at 500 lbs. See cautions page 3.

**Fig. 1**

GOBI Delta Hook

Product Description:



Delta Hook rating:

Strong 500 lbs. (226.8 kg) Single Hook Capacity

Cautions:

- Before mounting be sure the "Delta Hook" can be used in a position where pulling force is applied in a vertical direction opposite the "Delta Hook" base.
- Place the "Delta Hook" through as many expanded metal ribs as possible to ensure maximum security.
- Do not leave the "Delta Hook" in an unsecure position on your roof rack, if the "Delta Hook" is no longer needed remove and store in a safe place.
- The "Delta Hook" should only be used for its intended purpose. Any other uses can be dangerous.
- Safe working load is 1/3 of the product's rated capacity. Do not exceed safe working load for this light duty tie-down product.