

GOBI JEEP JK ROOF RACK WIND DEFLECTOR INSTALLATION INSTRUCTIONS

Guidelines:

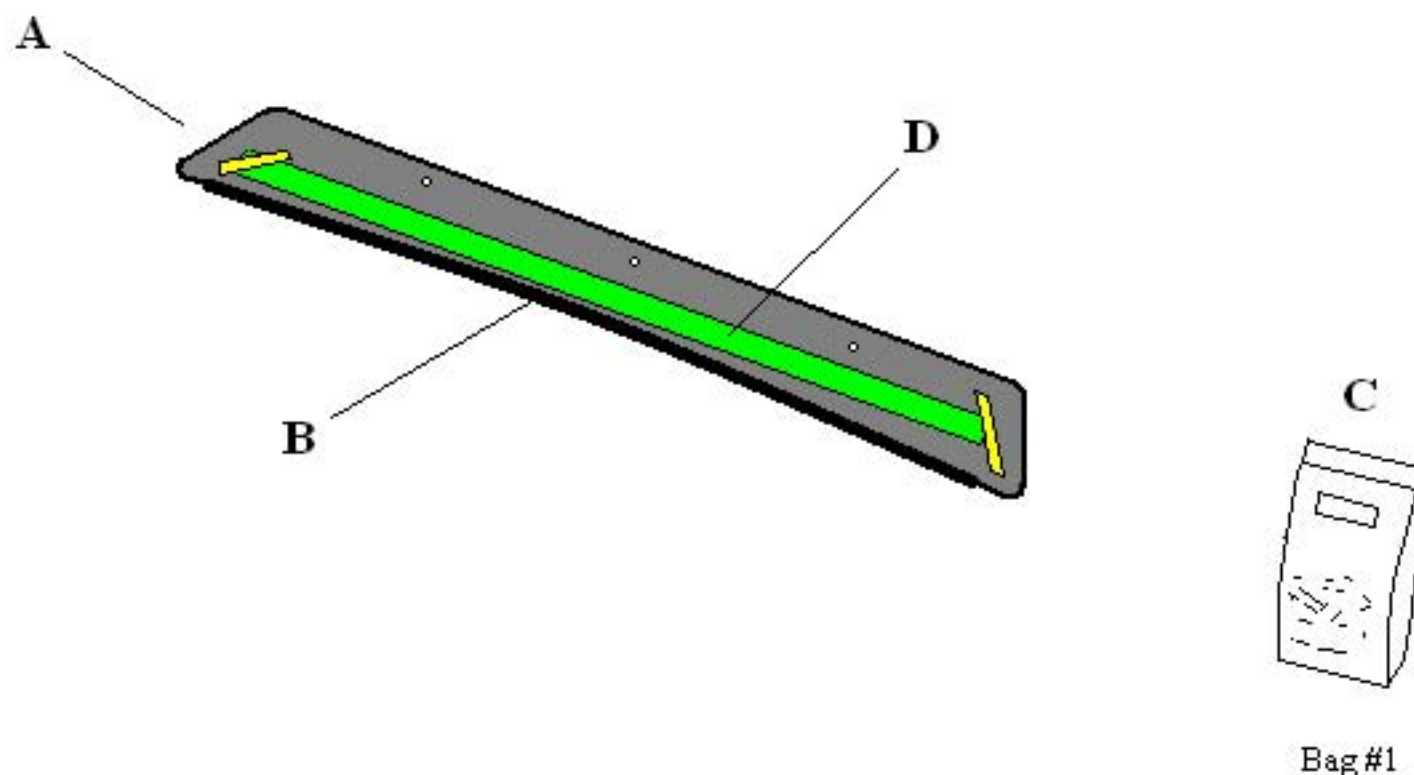
When using Load Carriers and Accessories, the user must understand the precautions. The points listed below will assist you in using the rack /carrier system and will encourage safety.

- For quality fits and safty, use only the recommended rack or accessory. Do not assume an accessory will fit, always check with dealer when obtaining new accessories. Use only approved accessories on load carriers. Using other brands will void your warrenty.
- Make sure all knobs, bolts, screws, straps, and locks are firmly attached, tightened and locked before every trip. Knobs, bolts, screws, straps, and locks must be periodically inspected for signs of wear, corrosion, and fatigue. Check your load at stops during the trip to insure continued fastening security.
- Check local and state laws governing projection of objects beyound the width of a vehicle. **Be aware of the width and height of your cargo since low clearance branches, bridges, and parking garages can affect the load** All cargo will affect the vehicle's driving behavior. Never drive with any lock, know, or rack in an open or unlocked position. All long loads such as, but not limited to sailboards, surfboards, kayaks, canoes, and lumber must be tied down front and rear to the bumpers or tow hooks, of the vehicle.
- Remove your rack accessories when they are not in use, before intering car washes, prior to taking in your vehicle for service, and whenever clearance may be an issue.
- All locks must be turned and moved periodically to insure smooth operation. Use graphite or similar dry lubricant to help this. Locks are designed to deter vandalism and theft. Remove valuable gear if your vehicle is unattended for an extended period. Place at least one key in the glove compartment.
- For safety to your vehicle and rack system, obey all posted speed limits and traffic cautions. Adapt your speed to the conditions of the road and the load being carried.
- Do not use load carriers and accessories for purposes other than those for which they were designed. Do not exceed their carrying capacity.
- Consult with your dealer if you have any questions regarding the operations and limits of this product. Review all instructions carefully.

GOBI JEEP JK ROOF RACK WIND DEFLECTOR INSTALLATION INSTRUCTIONS

Included in kit

Letter	Description	Location	Quantity
A	GOBI JEEP JK ROOF RACK WIND DEFLECTOR	Main box	1
B	WIND DEFLECTOR RUBBER PROTECTIVE STRIP	Pre-Assembled	1
C	GOBI RACK MOUNTING HARDWARE CONTENTS: 3- Black zinc plated support brackets 2- 1-1/4" Black vinyl coated steel loops 3- 1/4" x 20 x 1" Button head SS screws 5- 1/4" x 20 x 5/8" Button head SS screws 16- 1/4" Black nylon washers 8- 1/4" SS nuts	Bag #1	1
D	2" X 52" CLEAR POLYURETHANE ABRASION RESISTANT TAPE	Attached to inside of wind deflector	1



GOBI JEEP JK ROOF RACK WIND DEFLECTOR INSTALLATION INSTRUCTIONS

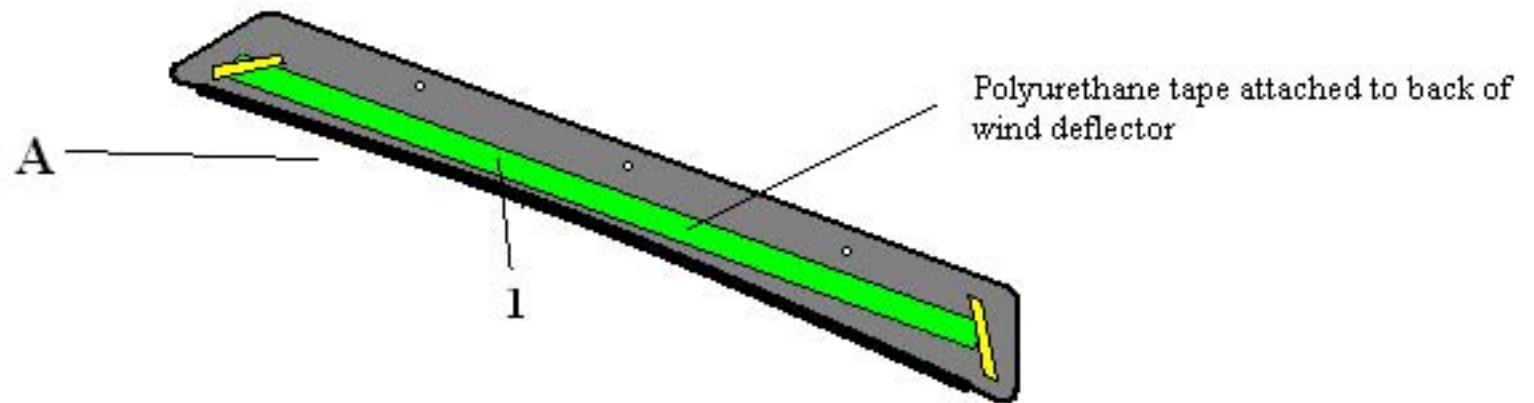


Fig. 1a

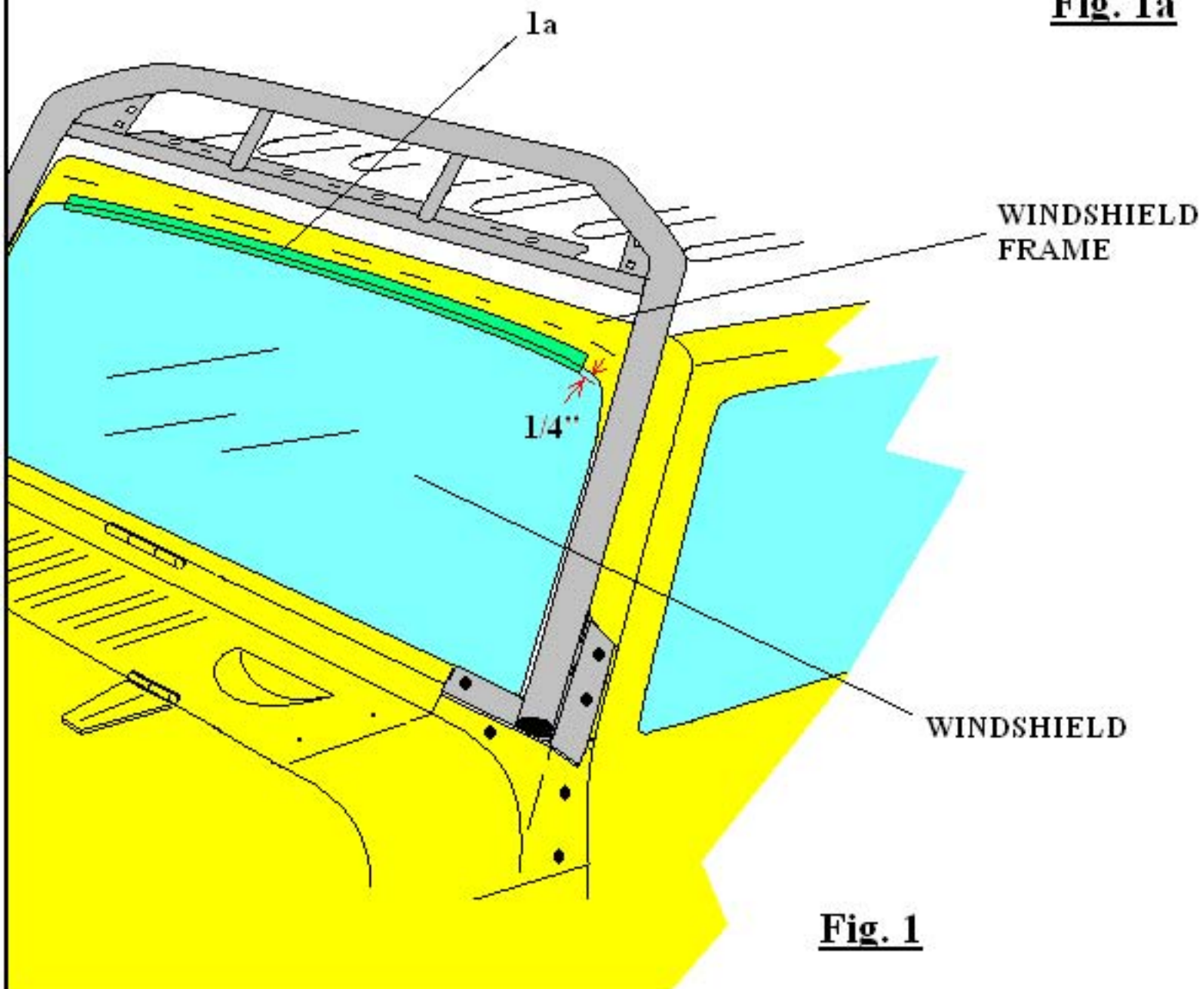
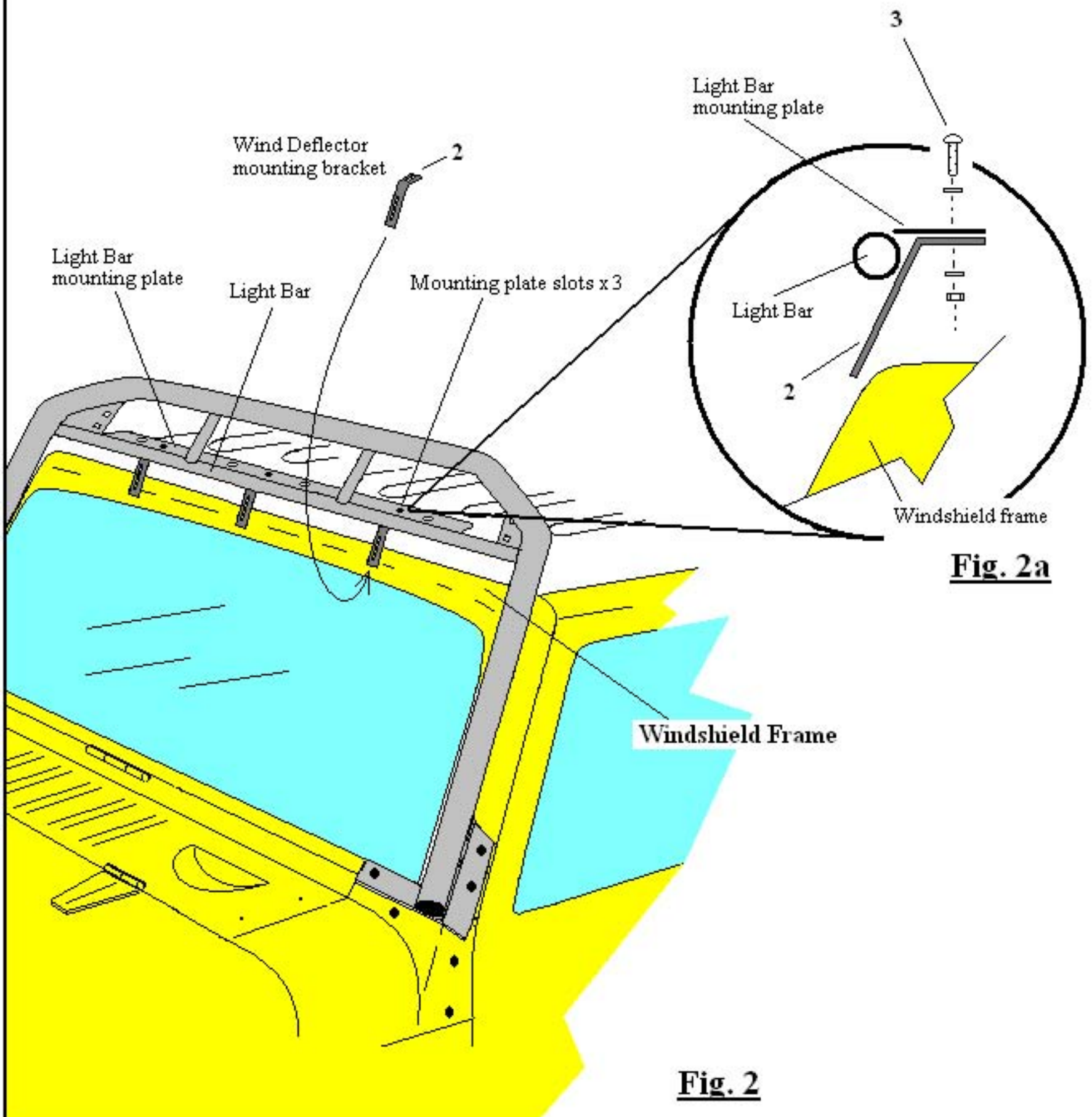
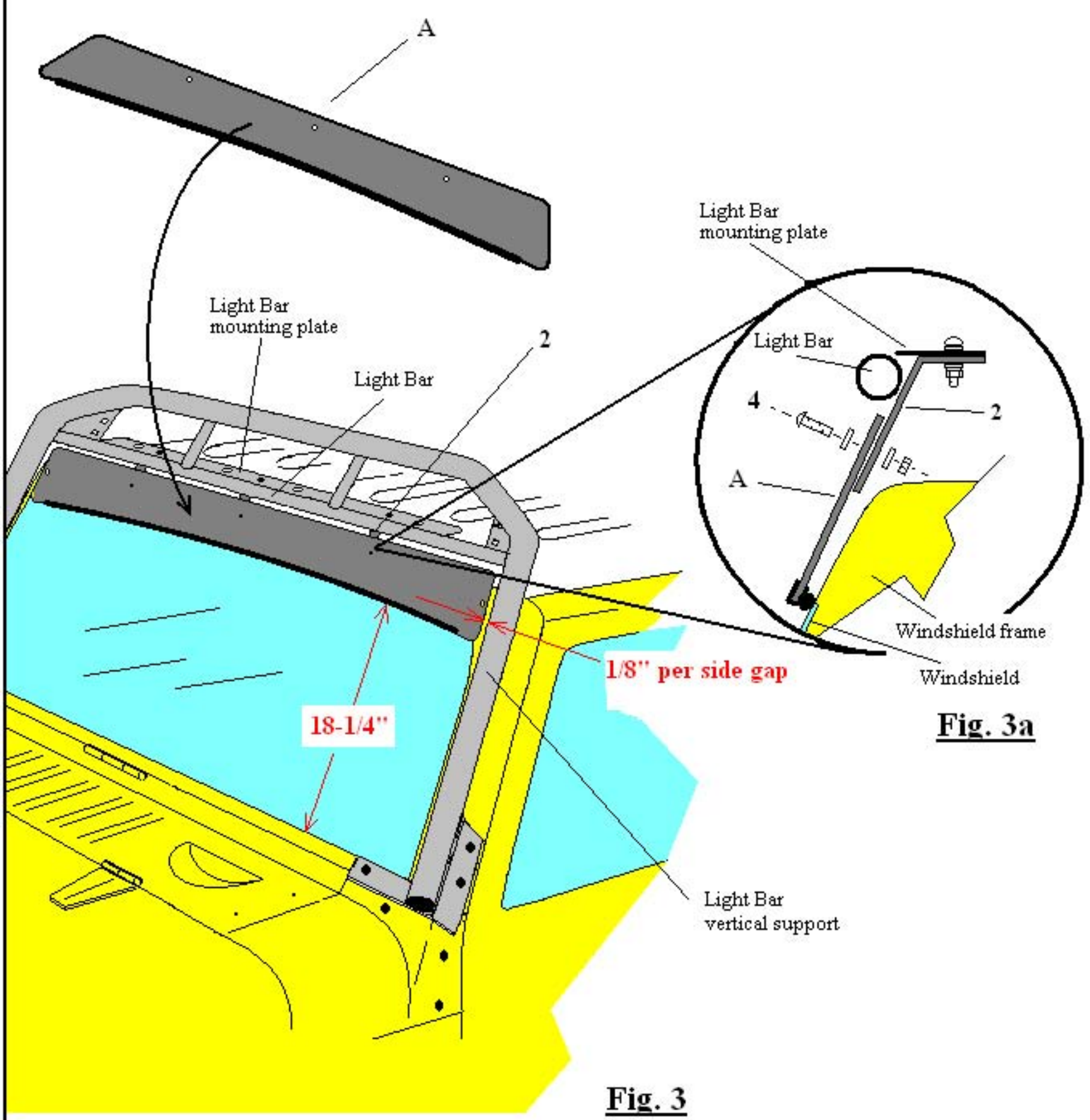


Fig. 1

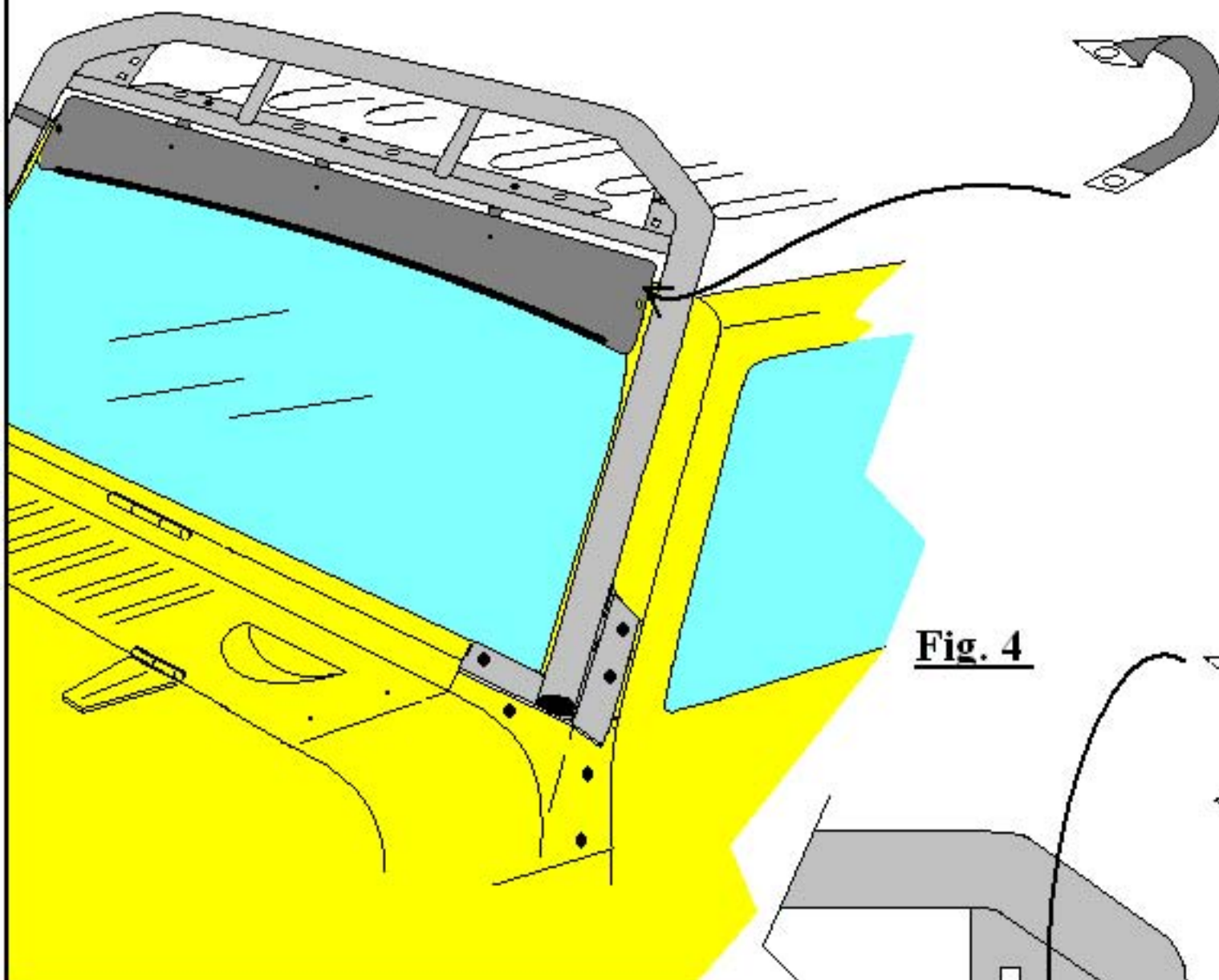
GOBI JEEP JK ROOF RACK WIND DEFLECTOR INSTALLATION INSTRUCTIONS



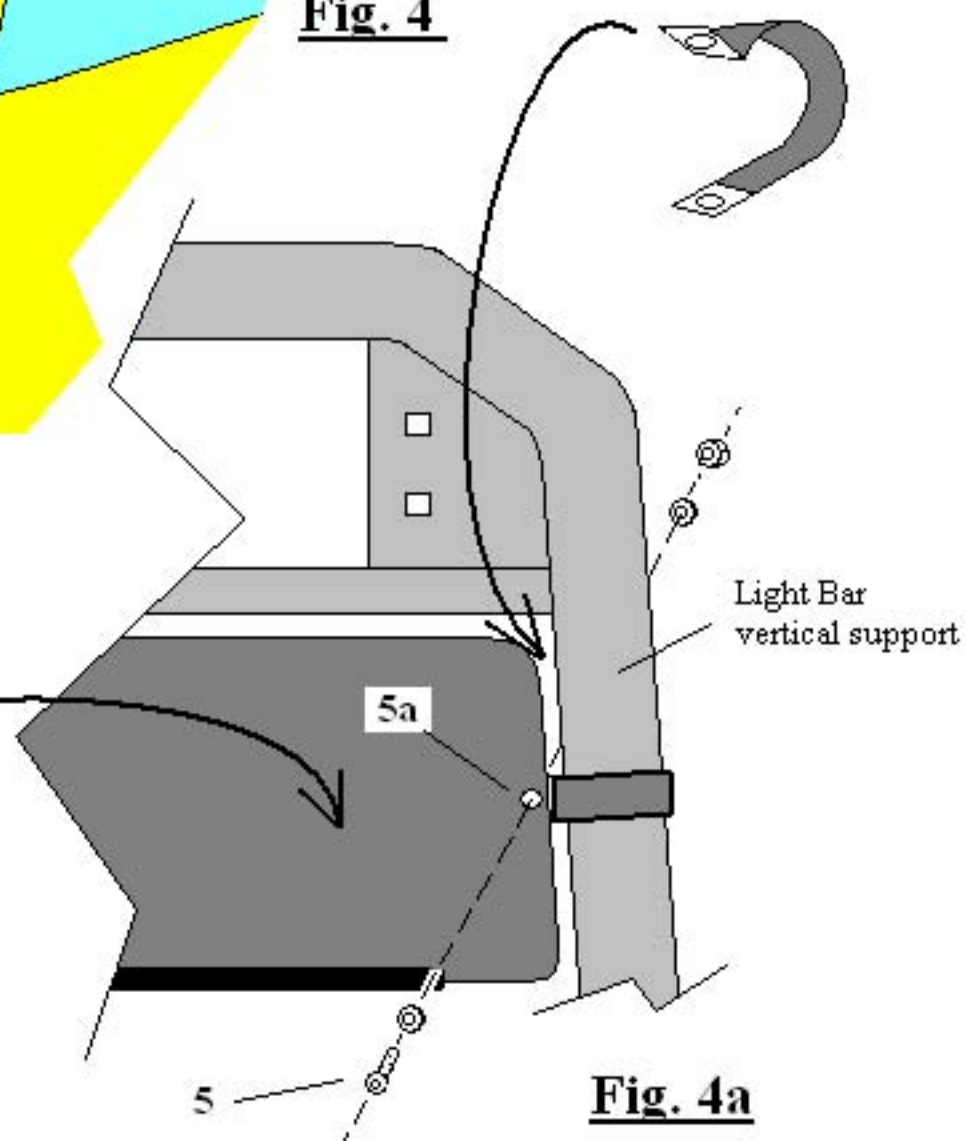
GOBI JEEP JK ROOF RACK WIND DEFLECTOR INSTALLATION INSTRUCTIONS



GOBI JEEP JK ROOF RACK WIND DEFLECTOR INSTALLATION INSTRUCTIONS

**Fig. 4**

Push wind deflector in towards vehicle windshield to insert strap over and around light bar and behind wind deflector to attach screw and nut

**Fig. 4a**

GOBI JEEP JK ROOF RACK WIND DEFLECTOR INSTALLATION INSTRUCTIONS

Installation instructions:

- 1- Refer to page 2 make sure all hardware listed is present prior to installation.
- 2- Read all instructions carefully prior to installation.
- 3- If a hardtop is present remove both Jeep JK Freedom panels if a soft top is present Tip back soft top so as not to interfere with installation.
- 4- Refer to page 3 Fig. 1 a(1) you will notice a 2" x 52" blue strip of Polyurethane tape attached to the inside of the Jeep JK wind deflector, do not remove at this time. You will need to apply the tape to the vehicle windshield as shown on page 3 Fig. 1 (1a) approximately ¼" onto windshield and the remainder on the vehicle windshield frame equally spaced from both ends. Prior to application you will need to mix the following solution in a spray bottle. Wetting solution: 25% isopropyl alcohol, 75% water, and 1 teaspoon dishwashing liquid per gallon. Of course you will not need a full gallon. Mix the formula in a small amount to spray over the area of the windshield in which the tape will be applied. Apply tape only when the temperature is above 50 deg. F and make sure the surface of the vehicle is free of dirt, grease and oil. After you have sprayed the vehicle with the wetting solution remove the Polyurethane tape from the wind deflector and peel off the blue backing. Apply the tape over the wet area and smooth out with a squeegee or by hand, remove all bubbles. Let dry for at least 30 minutes.
- 5- Refer to page 4 Fig. 2 and Fig. 2a remove the wind deflector support brackets (2) from your hardware Bag #1 and attach to light bar mounting plate as shown. Fig. 2a is an exploded view showing the side of the light bar with bracket (2) directly under light bar mounting plate and mounting plate slots. Attach ¼-20 x 1" stainless screws, black nylon washers and nuts as shown in Fig. 2a (3). Apply the same procedure to all three support brackets snug down only at this time.
- 6- Refer to page 5 Fig. 3 and place wind deflector (A) onto the three support brackets (2) as shown. Place the ¼-20 x 5/8" stainless steel screws, black nylon washers and nuts (4) as shown in Fig. 3a through wind deflector and support bracket (2), finger tighten only at this time. With the help of another person adjust the wind deflector so that a distance of at least 1 8-1/4" is present between the bottom of the wind deflector rubber seal and the bottom of the windshield. This is to provide room for the windshield wiper to move without contacting the wind deflector. At the same time position the wind deflector so that a gap of approximately 1/8" is available between both ends of the wind deflector and the light bar's vertical support tubes as shown. Refer to page 4 Fig. 2a and fully tighten all three wind deflector support bracket (2) to light bar mounting plate with screws (3) as shown while making certain that the wind deflector retains the 1/8" gap to both ends.
- 7- Refer to page 5 Fig. 3a tighten down all three screws and nuts (4) securing the wind deflector to the support brackets (2) while still maintaining the 1/8" gap between the wind deflector ends and the vertical support tubes. During the final securing of the wind deflector tuck as much as possible the wind deflector seal under the wind deflector.
- 8- Refer to page 6 and remove the two 1-1/4" black vinyl coated loop straps from your hardware Bag #1. As shown in Fig. 4a push down onto the end of the wind deflector towards the windshield then slide the open loop strap between the wind deflector and the light bar vertical support tube. After you have the strap over the tube close and turn the strap so that the screw holes of the strap both ends are under the wind deflector and in line with wind deflector mounting hole #5a. Place the ¼"-20 x 5/8" stainless steel screw, black nylon washer and nut through the wind deflector and into the loop straps then finger tighten only. After both loop straps are installed finish by pushing down on the wind deflector ends while tightening the loop straps in place. Installation is now completed.