

## GOBI ROOF RACK TOOL BOX INSTALLATION INSTRUCTIONS

### Guidelines:

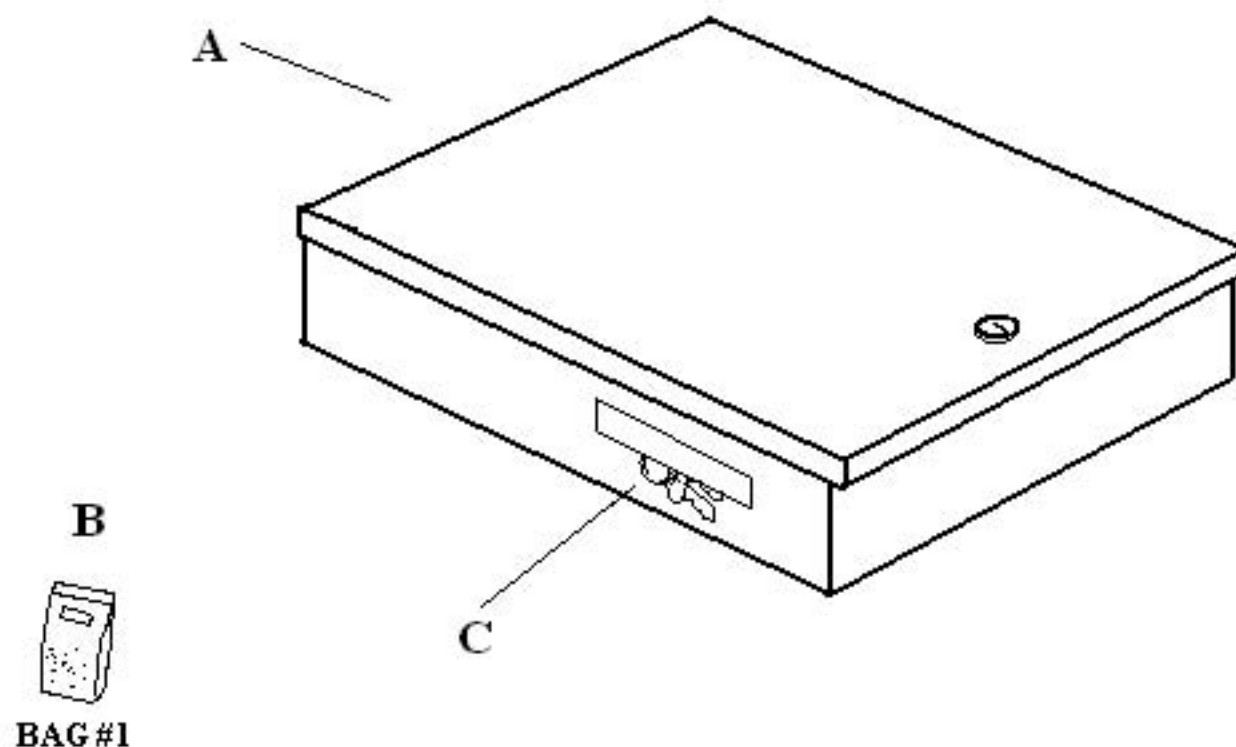
When using Load Carriers and Accessories, the user must understand the precautions. The points listed below will assist you in using the rack /carrier system and will encourage safety.

- For quality fits and safety, use only the recommended rack or accessory. Do not assume an accessory will fit, always check with dealer when obtaining new accessories. Use only approved accessories on load carriers. Using other brands will void your warranty.
- Make sure all knobs, bolts, screws, straps, and locks are firmly attached, tightened and locked before every trip. Knobs, bolts, screws, straps, and locks must be periodically inspected for signs of wear, corrosion, and fatigue. Check your load at stops during the trip to insure continued fastening security.
- Check local and state laws governing projection of objects beyond the width of a vehicle. **Be aware of the width and height of your cargo since low clearance branches, bridges, and parking garages can affect the load** All cargo will affect the vehicle's driving behavior. Never drive with any lock, knob, or rack in an open or unlocked position. All long loads such as, but not limited to sailboards, surfboards, kayaks, canoes, and lumber must be tied down front and rear to the bumpers or tow hooks, of the vehicle.
- Remove your rack accessories when they are not in use, before entering car washes, prior to taking in your vehicle for service, and whenever clearance may be an issue.
- All locks must be turned and moved periodically to insure smooth operation. Use graphite or similar dry lubricant to help this. Locks are designed to deter vandalism and theft. Remove valuable gear if your vehicle is unattended for an extended period. Place at least one key in the glove compartment.
- For safety to your vehicle and rack system, obey all posted speed limits and traffic cautions. Adapt your speed to the conditions of the road and the load being carried.
- Do not use load carriers and accessories for purposes other than those for which they were designed. Do not exceed their carrying capacity.
- Consult with your dealer if you have any questions regarding the operations and limits of this product. Review all instructions carefully.

## GOBI ROOF RACK TOOL BOX INSTALLATION INSTRUCTIONS

### Included in kit

Letter	Description	Location	Quantity
A	GOBI ROOF RACK TOOL BOX 22" x 14" x 4"	Main box	1
B	CONTENTS: 4- 5/16"-18 x 1" ALLEN HEAD BOLTS 8- 5/16" Fender washers 4- 5/16" nylock nuts	BAG #1	1
C	1- Set keys	Taped to box	1



## GOBI ROOF RACK TOOL BOX INSTALLATION INSTRUCTIONS

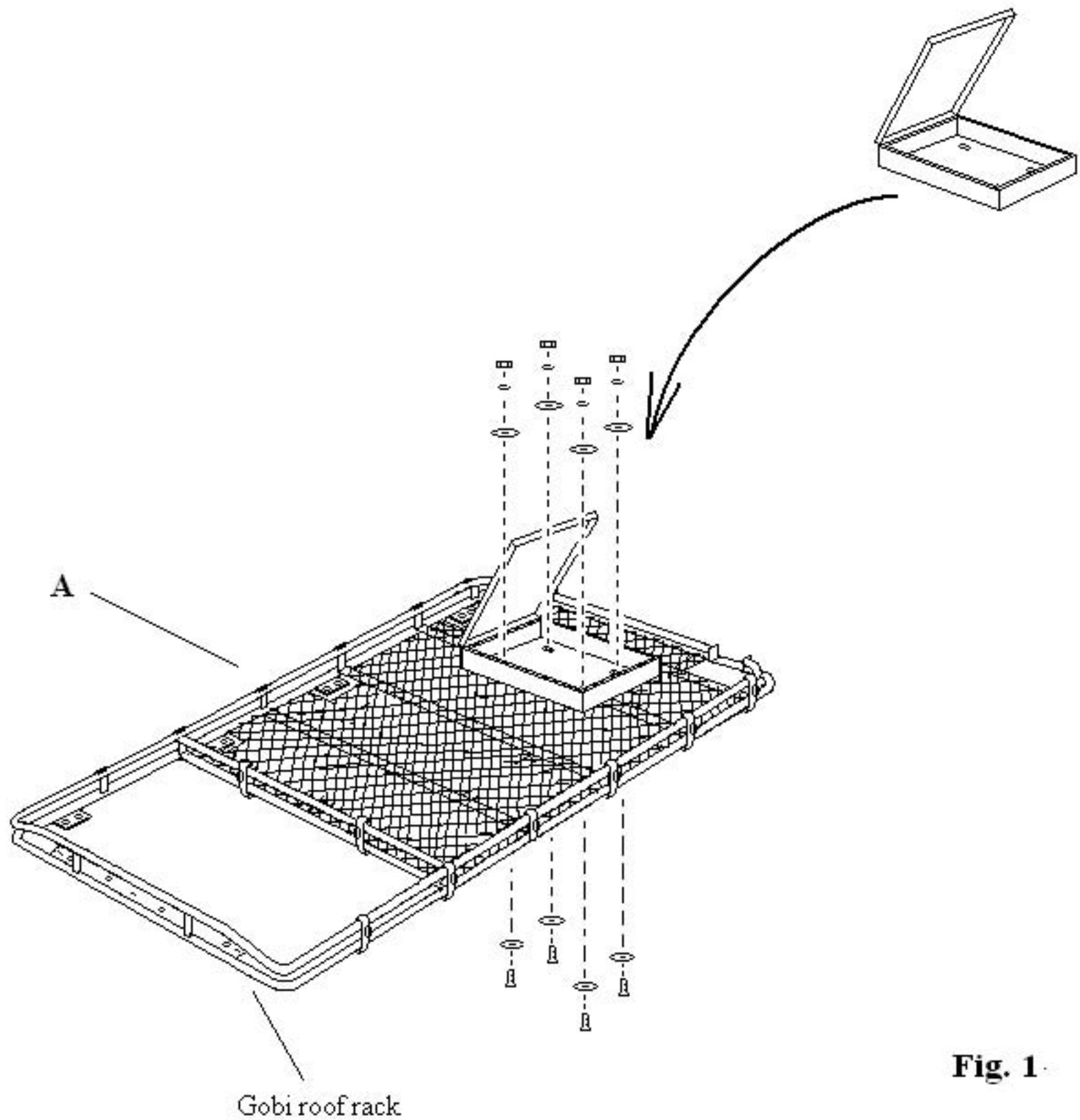


Fig. 1

## GOBI ROOF RACK TOOL BOX INSTALLATION INSTRUCTIONS

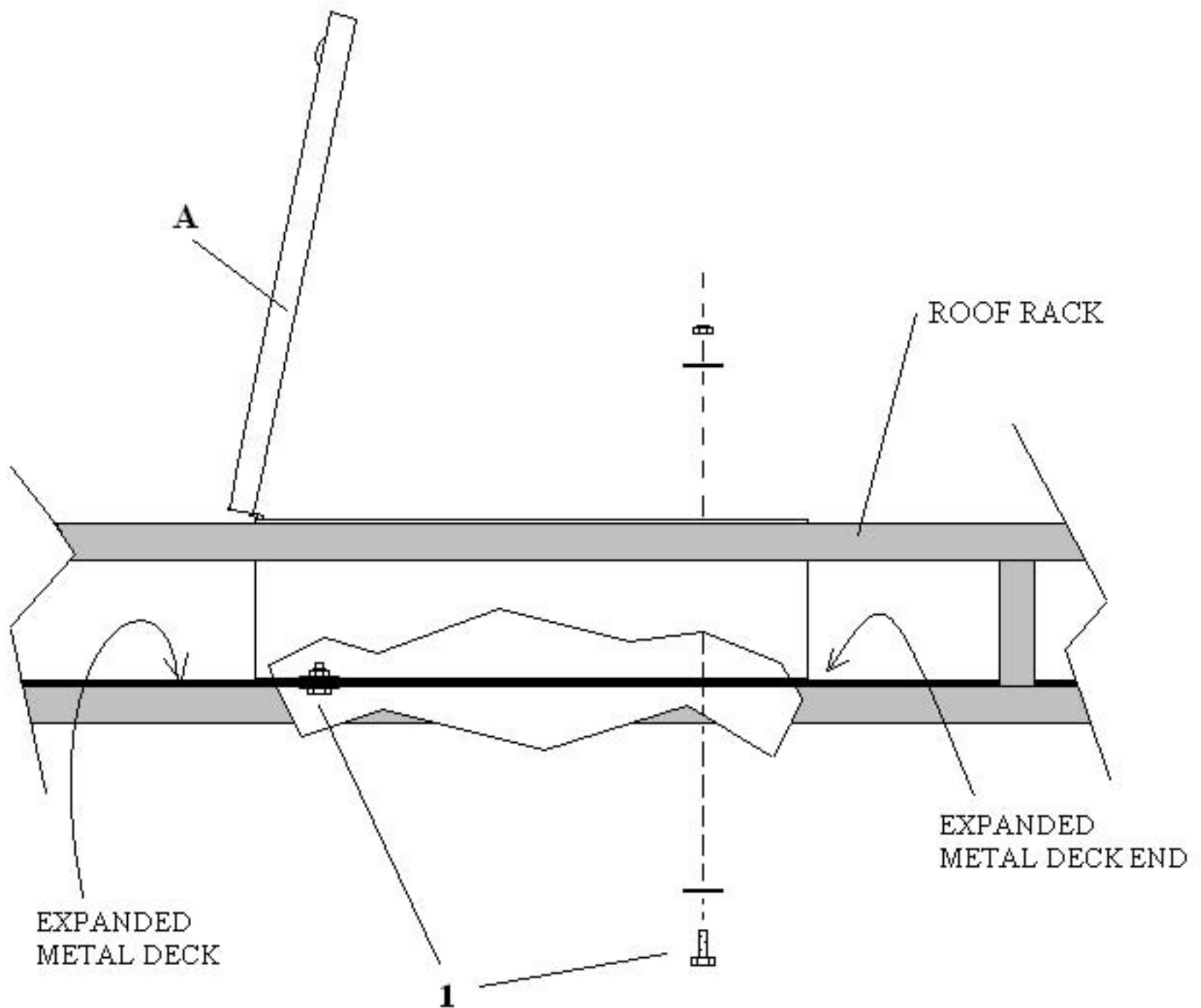


Fig. 2

## GOBI ROOF RACK TOOL BOX INSTALLATION INSTRUCTIONS

### INSTALLATION INSTRUCTIONS

- 1- Open tool box with key tapped to the outside of the tool box and remove Plastic Bag #1. When opening tool box push lid down firmly turn key then lift on lid from the end of the tool box closest to lock.
- 2- Locate an area to the rear of your Gobi rack preferably rear inner edge. This will facilitate access to the tool box from your Gobi ladder so that climbing on top of the roof rack is not necessary when removing articles from the tool box.
- 3- Open the lid of the Gobi tool box and place the tool box in the preferred location of your choice as shown in Fig. 1 page 3. Align tool box on the expanded metal deck so that the 4 elongated holes at the bottom of the tool box align with the expanded metal deck diamond shaped openings below.
- 4- Remove bolts and fender washers #1 located in Plastic Bag #1 of your hardware kit listed on page 2 and push them up into the tool box from the underside of the expanded metal deck as shown in Fig. 2 page 4. While holding each bolt and fender washer from the underside of the Gobi roof rack place another fender washer onto the exposed bolt within the tool box followed by a lock nut repeat to all four bolts finger tighten at this time.
- 5- After all bolts and fender washers are in place align the tool box a final time. During final alignment keep tool box away from the edges of the Gobi roof rack tubing to prevent any possibility of roof rack chatter. After alignment is completed fully tighten all nuts and bolts then relock tool box installation is complete.